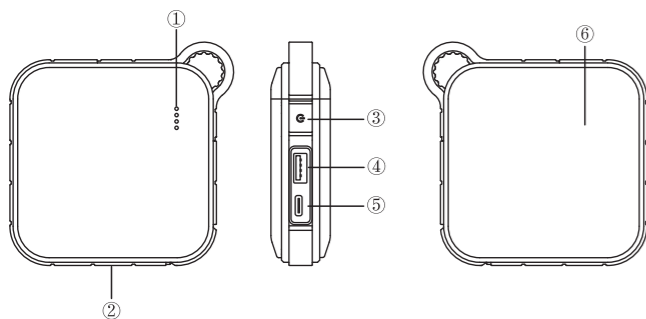


Product Overview

What's inside

1 x Power bank U36
1 x USB-C cable

1 x User manual
1 x Snap Hook



1. LED indicators
2. Silicon shock-proof bumper
3. Power button

4. USB-A output port
5. USB-C input/output port
6. LED lantern

Instruction

Technical Specification

Battery Capacity	10050mAh (36.18Wh)
USB-C Input&Output	PD 18W (USB Power Delivery)
USB-A Output	5V/9V/12V 18W max.
Total Output	18W max.
Product Dimensions	97 x 97 x 28mm

1

Check The Battery Level

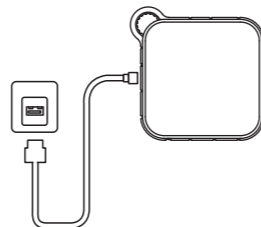
- Press the power button once, the LED indicators will turn on.
- Depending on the remaining battery level, the LED indicators show differently as follows.

Remaining Capacity	LED1	LED2	LED3	LED4
75~100%	●	●	●	●
50~75%	●	●	●	○
25-50%	●	●	○	○
10~25%	●	○	○	○
0~10%	●●	○	○	○

- If there is no device connected after pressing the power button, LED indicators will turn off in about 30 seconds automatically.

How To Charge Your Battery Pack?

- Plug the USB-C cable into the USB-C input port of the battery pack.
- Insert the other side of the cable into an AC adapter connected to wall socket. (adapter with PD output is recommended for faster charging)
- Then, charging to the battery pack will start automatically. The LEDs will start to flash and turn on one by one.
- Charging will end automatically when all four LEDs turn on. Unplug the adapter and charging cable.



2

How To Charge Your Devices with the Battery Pack?

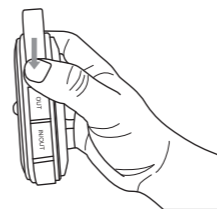
- Connect your smartphone or other device to the battery pack with the included USB-C cable. Then, the charging will be started automatically.
- While charging to devices, the battery pack LED indicators will turn off one by one with the decrease of the battery level inside.

Remaining Capacity	LED1	LED2	LED3	LED4
75~100%	●	●	●	●
50~75%	●	●	●	○
25-50%	●	●	○	○
10~25%	●	○	○	○
0~10%	●●	○	○	○

- If the last LED indicator flashes, it indicates that the remaining power of the power bank is insufficient. In this case, please charge your power station in a timely manner.

How to Use the LED lantern?

- Press and hold the power button for 2 seconds, the LED lantern will be turned on/off. While the lantern is on, you can also make it work on a brighter mode by giving one more click to the power button.
- Then, press one more on the power button while the lantern is in the brighter mode, the SOS function will be triggered with the lantern keep flashing. To turn off SOS, simply press the button once.



3

Warning

- * Keep the product away from extreme heat or cold, as well as any flammable items or damp places, also avoid dropping, hitting or throwing the product.
- * Please fully charge your external battery at least once every three months to avoid shortening its lifespan.
- * The Power bank has an embedded, non-replaceable battery, do not attempt to open the power bank or remove the battery as this may cause injury and damage the power bank.
- * Please contact the local recycling facility for removal of the battery. The embedded, non-replaceable battery is designed to last the life time of the product.
- * Do not dispose of lithium polymer battery with general waste. Please return it to battery recycling collection point.

Warranty

This product is covered by a limited warranty from Powerness for the original purchaser that covers the product from defects in workmanship and materials for 24 months from the date of purchase.

This Warranty does not apply to defects or damages to Products caused by human error-related factors or any other non-ordinary factors, including but not limited to:

- Malfunctions or damages caused by force majeure such as natural calamity or any inappropriate use by any person.
- Product has been repaired or taken apart by unauthorized technicians.
- Warranty label is altered, damaged or missing.
- Product serial number does not conform to manufacturer's records, or is difficult to ascertain.

service@powerness.com

4